

PROCESS OPTIMISATION WITH HOT AIR



RADIAL BLOWER: HAPROVENT M MODEL S



Generate an air flow

Powerful, tried-and-tested blowers generate the airflow required for the application.



Guide the air

Air ducting systems made of heat-resistant air hoses guide the airflow from the blower to the point of use.



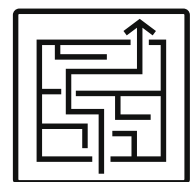
Heat the air

Electrically powered air heaters ensure the air is heated to the required temperature.



Regulate the temperature

Microprocessor controlled regulators ensure precisely maintained temperatures when hot air is used.



Apply the hot air

At the point of use, the hot air is accurately fed through special nozzles for use in the respective application.

RADIAL BLOWER: HAPROVENT M MODEL S



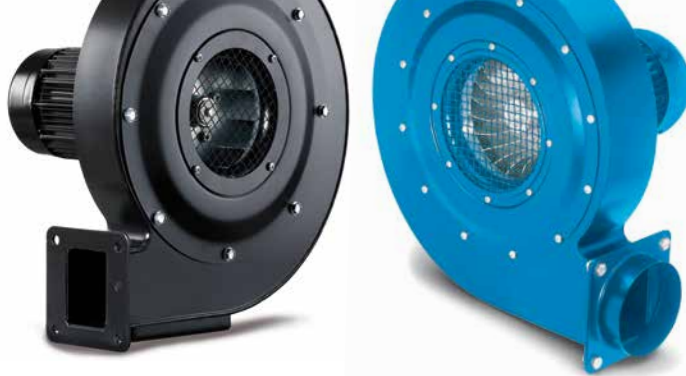
The medium-pressure blowers of the HAPROVENT M Model S series (clockwise rotation shown) can be used universally, e.g. in drying systems, hot-shrink systems, heating cabinets, as cooling blowers, etc. These blowers are the ideal air suppliers for the air heaters of the LE-R and LE-P series. The units are designed for continuous operation and can convey dry and humid air up to 65 °C (with a temperature restriction up to 300 °C). The housings are welded from sheet steel. The impellers are made of aluminium. Due to their low weight and compact dimensions, the blowers can be easily integrated into machines and installations. The mounting position of the blower can also be reversed.

The units are supplied with a fan base as standard, dimensions table, see page 6.

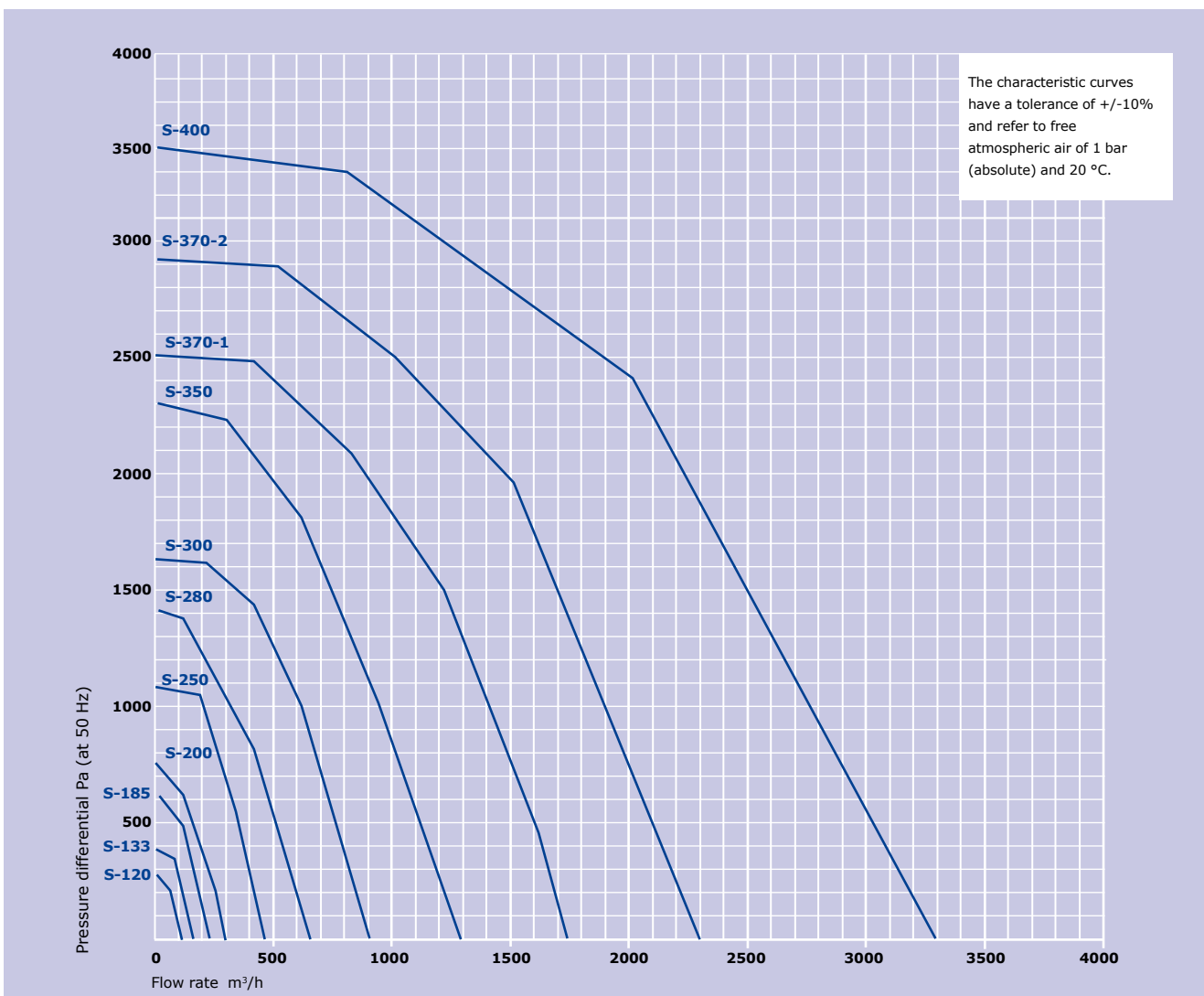
Special designs such as individual voltages or ex-protection according to ATEX are available on request.

Options

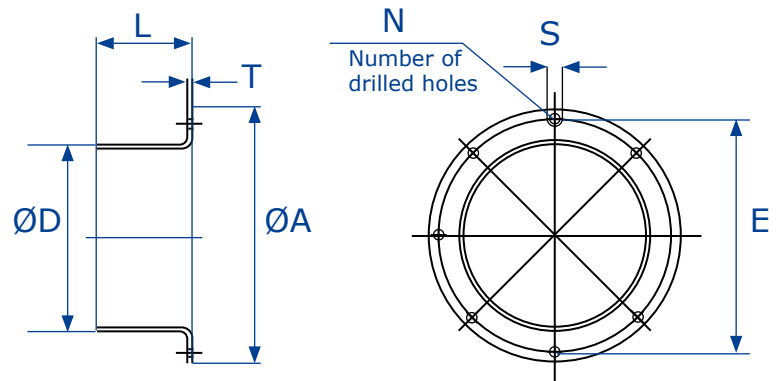
- Blower also available inverted, anticlockwise rotating
- Outlet position: Available in 90-degree steps
- Throttle valve: For manual adjustment on the air outlet side
- Air heater: Suitable air filter elements for all applications
- Temperature restriction: For media temperatures up to 300 °C
- Nozzles/air distribution: ·Air distribution, nozzles and special systems on request
- Condenser: For 230 V single-phase alternating voltage
- Quiet operation



| Model | Order No. | Output kW | Voltage V | Air volume m ³ /h self-clearing | Pressure Pa fully throttled | Weight kg |
|-------------------------|-----------|-----------|-----------|--|-----------------------------|-----------|
| Haprovent M TYP S-120 | 41650120 | 0,045 | 400 | 140 | 270 | 3,7 |
| Haprovent M TYP S-133 | 41650133 | 0,045 | 400 | 150 | 335 | 3,8 |
| Haprovent M TYP S-185 | 41650185 | 0,090 | 400 | 200 | 640 | 6,0 |
| Haprovent M TYP S-200 | 41650200 | 0,090 | 400 | 240 | 740 | 6,0 |
| Haprovent M TYP S-250 | 41650250 | 0,120 | 400 | 420 | 1100 | 9,0 |
| Haprovent M TYP S-280 | 41650280 | 0,250 | 400 | 615 | 1410 | 15,0 |
| Haprovent M TYP S-300 | 41650300 | 0,550 | 400 | 900 | 1650 | 22,0 |
| Haprovent M TYP S-350 | 41650350 | 1,1 | 400 | 1260 | 2380 | 28,0 |
| Haprovent M TYP S-370-1 | 416503701 | 1,5 | 400 | 1700 | 2600 | 34,0 |
| Haprovent M TYP S-370-2 | 416503702 | 2,2 | 400 | 2360 | 2880 | 35,0 |
| Haprovent M TYP S-400 | 41650400 | 4,0 | 400 | 3350 | 3400 | 65,0 |



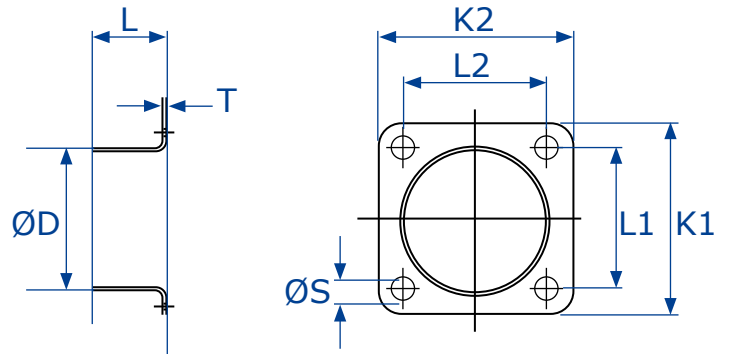
HAPROVENT M MODEL S ACCESSORIES



Inlet connector for HAPROVENT M Model S

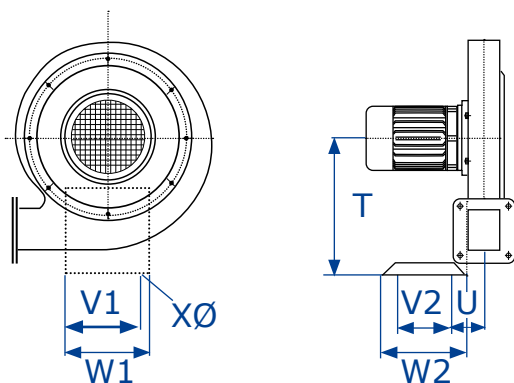
| HAPROVENT M Typ | Order No. | Dimensions in mm | | | | | | |
|-----------------|---------------|------------------|----|-----|-----|---|---|---|
| | | D | L | A | E | S | N | T |
| S-120 | 401660120060 | 60 | 40 | 102 | 95 | 3 | 4 | 1 |
| | 401660120080 | 80 | 40 | 102 | 95 | 4 | 4 | 1 |
| S-133 | 401660133060 | 60 | 40 | 102 | 95 | 3 | 4 | 1 |
| | 401660133080 | 80 | 40 | 102 | 95 | 4 | 4 | 1 |
| S-185 | 401660185080 | 80 | 40 | 123 | 116 | 4 | 4 | 1 |
| | 401660185100 | 100 | 40 | 123 | 116 | 4 | 4 | 1 |
| S-200 | 40166020080 | 80 | 40 | 123 | 116 | 4 | 4 | 1 |
| | 401660200100 | 100 | 40 | 123 | 116 | 4 | 4 | 1 |
| S-250 | 401660250100 | 100 | 40 | 152 | 144 | 5 | 4 | 1 |
| | 401660250125 | 125 | 40 | 152 | 144 | 5 | 4 | 1 |
| S-280 | 401660280100 | 100 | 40 | 152 | 144 | 5 | 4 | 1 |
| | 401660280125 | 125 | 40 | 152 | 144 | 5 | 4 | 1 |
| S-300 | 401660300125 | 125 | 40 | 165 | 157 | 6 | 4 | 1 |
| | 401660300140 | 140 | 40 | 165 | 157 | 6 | 4 | 1 |
| S-350 | 401660350140 | 140 | 40 | 186 | 175 | 6 | 4 | 1 |
| | 401660350160 | 160 | 40 | 186 | 175 | 6 | 4 | 1 |
| S-370-1 | 4016603701160 | 160 | 40 | 222 | 212 | 6 | 8 | 1 |
| | 4016603701180 | 180 | 40 | 222 | 212 | 6 | 8 | 1 |
| S-370-2 | 4016603702180 | 180 | 40 | 244 | 232 | 6 | 8 | 1 |
| | 4016603702200 | 200 | 40 | 244 | 232 | 6 | 8 | 1 |
| S-400 | 401660400180 | 180 | 40 | 244 | 232 | 6 | 8 | 1 |
| | 401660400200 | 200 | 40 | 244 | 232 | 6 | 8 | 1 |

HAPROVENT M MODEL S ACCESSORIES



Outlet connector for HAPROVENT M Model S

| HAPROVENT M TYP | Order No. | Dimensions in mm | | | | | | | |
|-----------------|---------------|------------------|----|-----|-----|-----|-----|----|---|
| | | D | L | K1 | K2 | L1 | L2 | S | T |
| S-120 | 40167012040 | 40 | 32 | 85 | 60 | 60 | 50 | 6 | 1 |
| | 40167012060 | 60 | 42 | 85 | 60 | 60 | 50 | 6 | 1 |
| S-133 | 40167013340 | 40 | 32 | 85 | 60 | 60 | 50 | 6 | 1 |
| | 40167013360 | 60 | 42 | 85 | 60 | 60 | 50 | 6 | 1 |
| S-185 | 40167018580 | 80 | 40 | 85 | 85 | 70 | 70 | 6 | 1 |
| S-200 | 40167020080 | 80 | 40 | 85 | 85 | 70 | 70 | 6 | 1 |
| S-250 | 40167025080 | 80 | 40 | 105 | 105 | 80 | 80 | 9 | 1 |
| | 40167025090 | 90 | 40 | 105 | 105 | 80 | 80 | 9 | 1 |
| S-280 | 40167028090 | 90 | 40 | 120 | 120 | 90 | 90 | 9 | 1 |
| S-300 | 401670300112 | 112 | 40 | 125 | 125 | 95 | 95 | 9 | 1 |
| S-350 | 401670350125 | 125 | 40 | 140 | 140 | 115 | 115 | 9 | 1 |
| | 401670350140 | 140 | 42 | 140 | 140 | 115 | 115 | 9 | 1 |
| S-370-1 | 4016703701125 | 125 | 40 | 155 | 155 | 117 | 117 | 11 | 1 |
| | 4016703701140 | 140 | 40 | 155 | 155 | 117 | 117 | 11 | 1 |
| S-370-2 | 4016703702140 | 140 | 40 | 175 | 175 | 140 | 140 | 11 | 1 |
| | 4016703702160 | 160 | 40 | 175 | 175 | 140 | 140 | 11 | 1 |
| S-400 | 40167400180 | 180 | 40 | 195 | 195 | 150 | 150 | 11 | 1 |



Fan base for HAPROVENT M Model S, supplied

| HAPROVENT M TYP | Dimensions in mm | | | | | | |
|-----------------|------------------|-----|-----|-----|----|----|-----|
| | W1 | W2 | V1 | V2 | U | X | T |
| S-120 | 130 | 100 | 80 | 60 | 42 | 7 | 135 |
| S-133 | 130 | 100 | 80 | 60 | 42 | 7 | 135 |
| S-185 | 130 | 100 | 80 | 60 | 48 | 7 | 170 |
| S-200 | 130 | 100 | 80 | 60 | 51 | 7 | 180 |
| S-250 | 140 | 120 | 110 | 75 | 54 | 9 | 215 |
| S-280 | 165 | 150 | 120 | 100 | 54 | 9 | 255 |
| S-300 | 165 | 150 | 120 | 100 | 60 | 9 | 255 |
| S-350 | 200 | 170 | 150 | 120 | 61 | 9 | 295 |
| S-370-1 | 230 | 200 | 170 | 140 | 69 | 12 | 335 |
| S-370-2 | 230 | 200 | 170 | 140 | 82 | 12 | 335 |
| S-400 | 380 | 250 | 350 | 200 | | | |

Intake round filter für HAPROVENT M Model S

| HAPROVENT M TYP | Order No. | Dimensions in mm | | | | | | |
|--------------------|------------|------------------|-----|-----|-----|----|---|---|
| | | A | B | D | E | L | N | S |
| S-185 / S200 | 40168200 | 150 | 142 | 100 | 116 | 25 | 3 | 4 |
| S-250 | 40168250 | 205 | 237 | 120 | 144 | 25 | 4 | 5 |
| S-280 | 40168280 | 205 | 237 | 120 | 144 | 25 | 4 | 5 |
| S-300 | 40168300 | 252 | 297 | 135 | 157 | 25 | 4 | 6 |
| S-350 | 40168350 | 306 | 297 | 155 | 175 | 25 | 4 | 6 |
| S-370/1 | 4016837001 | 410 | 357 | 175 | 212 | 25 | 8 | 6 |
| S-370/2 | 4016837002 | 410 | 573 | 175 | 232 | 25 | 8 | 6 |
| S-400 | 40168400 | 410 | 573 | 175 | 232 | 25 | 8 | 6 |

