

# PROCESS OPTIMISATION WITH HOT AIR



## SIDE CHANNEL BLOWERS: HAPROVENT H SCL



### Generate an air flow

Powerful, tried-and-tested blowers generate the airflow required for the application.



### Guide the air

Air ducting systems made of heat-resistant air hoses guide the airflow from the blower to the point of use.



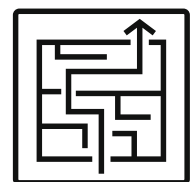
### Heat the air

Electrically powered air heaters ensure the air is heated to the required temperature.



### Regulate the temperature

Microprocessor controlled regulators ensure precisely maintained temperatures when hot air is used.



### Apply the hot air

At the point of use, the hot air is accurately fed through special nozzles for use in the respective application.

## SIDE CHANNEL BLOWERS: HAPROVENT H SCL



The high-pressure blowers of the HAPROVENT H SCL series can be used universally when high pressures are required, e.g. for special nozzles with high air outlet speeds, blow-off devices, etc. These blowers are also ideal air supply units for the LE-R and LE-P series air heaters. These low-noise units are designed for unrestricted continuous operation and are, to a large extent, maintenance-free. For taking in dry, non-aggressive media up to 45 °C. The blowers are made of an aluminium light alloy and can be installed in any axial alignment. The two-pole motors comply with DIN/VDE 0530 and are designed to meet ingress protection class IP 55 and insulation class F. The blowers are also available in special designs, for example gas-tight or explosion-proof. Special types (e.g. with deviating pressure or air volume), as well as further accessories are available on request. Different motor configurations or special designs are available on request.

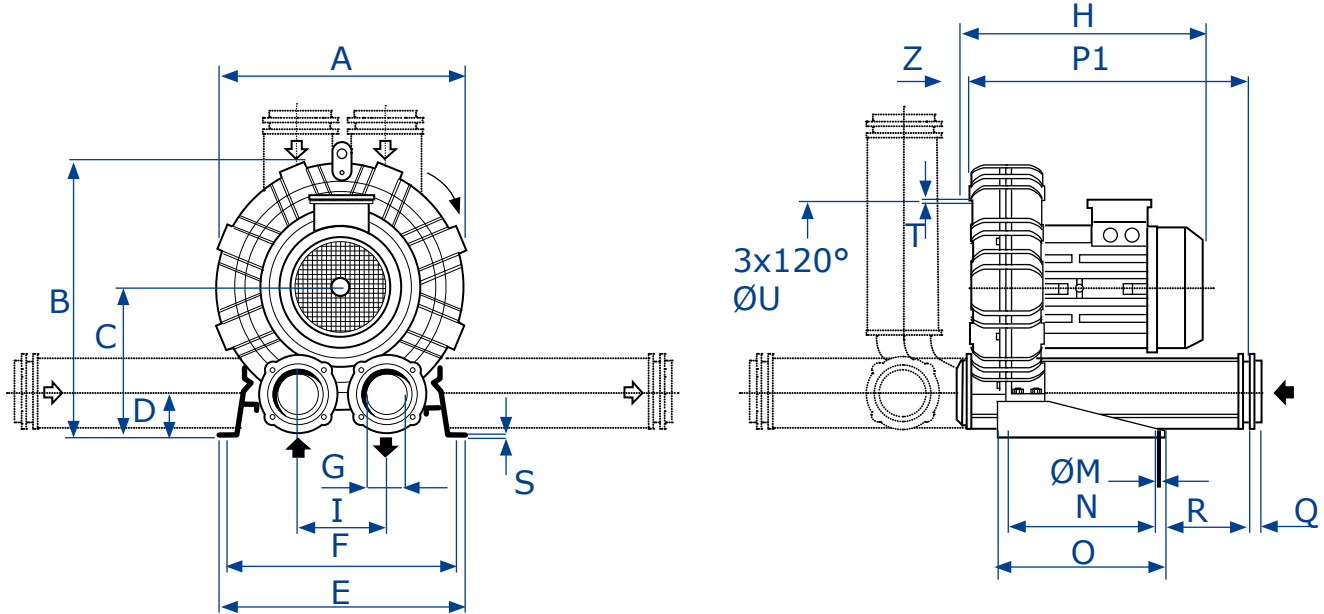
Side channel compressors can generate both blast and suction air by means of centrifugal acceleration with multi-stage compression. Due to the special mode of operation and construction, there is no contact between rotating and stationary components.

### Benefits of side-channel compressors

- Wear-free operation
- Absolutely oil-free compression
- Made to customer specification
- No pulsation of the fluid
- No lubrication required
- Quiet operation



**Installation dimensions**

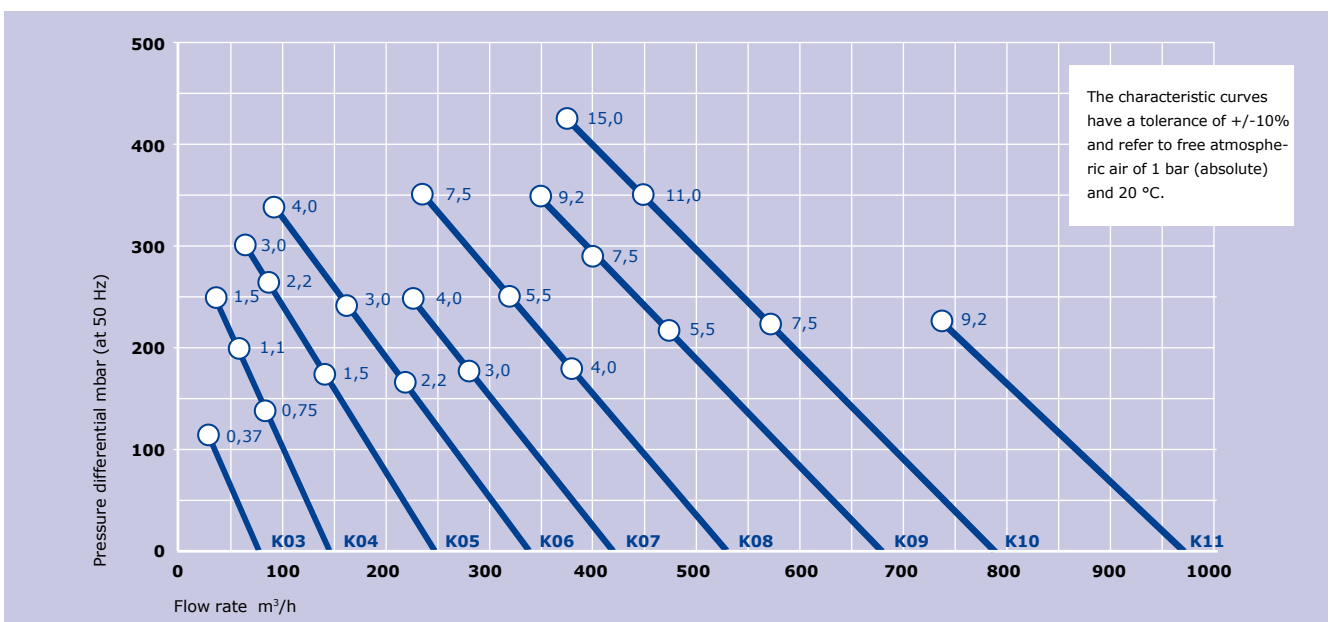


Dimensions in mm	SCL KO3	SCL KO4	SCL KO5	SCL KO6	SCL KO7	SCL KO8	SCL KO9	SCL K10	SCL K11
A	241	285	327	376	424	457	492	516	542
B	268	315	365	393	481	498	561	573	603
C	147	172	200	205	269	269	315	315	332
D	43	49	54	54	82	82	96	96	91
E	230	255	325	325	470	480	510	510	540
F	205	225	260	290	438	448	478	478	508
G	G 1 1/4"	G 1 1/2"	G 2"	G 2"	G 3"	G 3"	G 4"	G 4"	G 4"
H	235	258	357	371	603	603	685	685	695
I	86	102	120	125	155	155	182	182	200
M	10	12	15	15	13	13	13	13	13
N	83	95	115	140	300	300	300	300	300
O	142	171	265	265	350	350	350	350	350
P1	205	222	320	334	512	512	586	586	586
Q	18	18	18	18	25	25	25	25	25
R	75	70	98	85	137	137	199	199	204
S	4	4	4	4	5	5	5	5	5
T	M6	M6	M8	M8	M8	M8	M8	M8	M8
U	140	175	200	240	295	310	360	360	390
Z	12	18	19	19	16	16	16	16	16

The data given refers to air with a temperature of 20 °C and an atmospheric pressure of 1013 mbar (abs), measured at the inlet. Tolerance for values given +/- 10%. The values shown in this table are non-binding guide values and are only suitable for rough pre-selection.

## SIDE CHANNEL BLOWERS: HAPROVENT H SCL

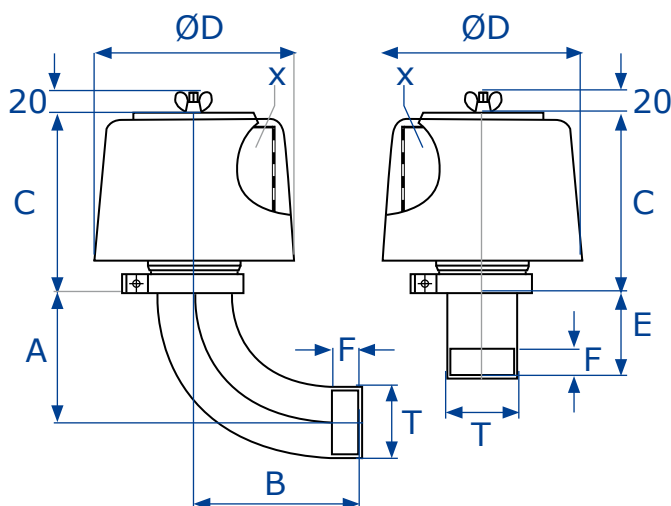
Model	Order No.	Output kW	Voltage V	Air volume m <sup>3</sup> / h self-clearing	Pressure mbar	Weight kg	Sound pressure dB/A
Haprovent H SCL K03	4162240300	0,37	230/400V 50Hz	74	110	11,0	58,7
Haprovent H SCL K04	4162240407	0,75	230/400V 50Hz	137	140	16,5	61,6
Haprovent H SCL K04	4162240411	1,1	230/400V 50Hz	137	200	18,2	61,6
Haprovent H SCL K04	4162240415	1,5	230/400V 50Hz	137	250	21,5	61,6
Haprovent H SCL K05	4162240515	1,5	230/400V 50Hz	219	175	25,5	67,2
Haprovent H SCL K05	4162240522	2,2	230/400V 50Hz	219	250	27,5	67,2
Haprovent H SCL K05	4162240530	3,0	230/400V 50Hz	219	300	34,5	67,2
Haprovent H SCL K06	4162240622	2,2	230/400V 50Hz	304	160	31,0	70,0
Haprovent H SCL K06	4162240630	3,0	230/400V 50Hz	304	240	37,0	70,0
Haprovent H SCL K06	4162240640	4,0	230/400V 50Hz	304	340	38,5	70,0
Haprovent H SCL K07	4162240730	3,0	230/400V 50Hz	414	175	52,5	74,5
Haprovent H SCL K07	4162240740	4,0	230/400V 50Hz	414	250	53,7	74,5
Haprovent H SCL K08	4162240840	4,0	230/400V 50Hz	536	180	56,5	76,5
Haprovent H SCL K08	4162240855	5,5	230/400V 50Hz	536	250	70,0	76,5
Haprovent H SCL K08	4162240875	7,5	230/400V 50Hz	536	350	75,0	76,5
Haprovent H SCL K09	41622409055	5,5	230/400V 50Hz	663	210	79,0	77,1
Haprovent H SCL K09	41622409075	7,5	230/400V 50Hz	663	290	84,0	77,1
Haprovent H SCL K09	41622409092	9,2	230/400V 50Hz	663	350	89,0	77,1
Haprovent H SCL K10	41622410075	7,5	230/400V 50Hz	782	225	85,5	77,4
Haprovent H SCL K10	41622410110	11,0	230/400V 50Hz	782	350	97,0	77,4
Haprovent H SCL K10	41622410150	15,0	230/400V 50Hz	782	425	114,0	77,4
Haprovent H SCL K11	41622411092	9,2	230/400V 50Hz	915	230	95,5	80,0





## AIR INLET FILTER ACCESSORIES

Designation	Order No.	Dimensions in mm					
		A	B	C	ØD	E	F
HOF 32 1 ¼"	42260007	76	95	175	170	81	19
HOF 40 1 ½"	424500091	86	105	175	170	81	19
HOF 50 2"	427000091	130	130	185	208	156	24
HOF 80 3"	431400091	190	130	200	280	170	30



## PRESSURE TABLE

Model	Output kW	Air volume at: x mbar														
		0	50	75	100	125	150	175	200	225	250	300	350	400	450	500
SCL K03	0,37	74	57	48	38	29	-	-	-	-	-	-	-	-	-	-
SCL K04	0,75	137	114	109	97	86	-	-	-	-	-	-	-	-	-	-
SCL K04	1,1	137	-	-	-	-	75	68	53	-	-	-	-	-	-	-
SCL K04	1,5	137	-	-	-	-	-	-	-	41	36	-	-	-	-	-
SCL K05	1,1	219	193	180	165	154	-	-	-	-	-	-	-	-	-	-
SCL K05	1,5	219	-	-	-	-	144	125	-	-	-	-	-	-	-	-
SCL K05	2,2	219	-	-	-	-	-	-	114	100	89	-	-	-	-	-
SCL K05	3,0	219	-	-	-	-	-	-	-	-	-	60	-	-	-	-
SCL K06	2,2	304	272	258	242	225	212	196	-	-	-	-	-	-	-	-
SCL K06	3,0	304	-	-	-	-	-	181	166	150	-	-	-	-	-	-
SCL K06	4,0	304	-	-	-	-	-	-	-	-	117	-	-	-	-	-
SCL K07	2,2	414	375	350	330	316	-	-	-	-	-	-	-	-	-	-
SCL K07	3,0	414	-	-	-	-	295	280	255	-	-	-	-	-	-	-
SCL K07	4,0	414	-	-	-	-	-	-	-	230	215	-	-	-	-	-
SCL K07	5,5	414	-	-	-	-	-	-	-	-	-	175	130	95	-	-
SCL K08	3,0	536	495	470	450	430	-	-	-	-	-	-	-	-	-	-
SCL K08	4,0	536	-	-	-	-	405	382	-	-	-	-	-	-	-	-
SCL K08	5,5	536	-	-	-	-	-	-	360	345	320	-	-	-	-	-
SCL K08	7,5	536	-	-	-	-	-	-	-	-	-	300	235	190	-	-
SCL K08	9,2	536	-	-	-	-	-	-	-	-	-	-	-	-	145	-
SCL K09	4,0	663	616	594	569	543	-	-	-	-	-	-	-	-	-	-
SCL K09	5,5	663	-	-	-	-	520	497	476	-	-	-	-	-	-	-
SCL K09	7,5	663	-	-	-	-	-	-	-	451	429	-	-	-	-	-
SCL K09	9,2	663	-	-	-	-	-	-	-	-	-	387	338	-	-	-
SCL K09	11,0	663	-	-	-	-	-	-	-	-	-	-	-	292	246	-
SCL K10	5,5	782	735	710	685	660	635	-	-	-	-	-	-	-	-	-
SCL K10	7,5	782	-	-	-	-	-	610	585	560	535	-	-	-	-	-
SCL K10	9,2	782	-	-	-	-	-	-	-	-	-	490	-	-	-	-
SCL K10	11,0	782	-	-	-	-	-	-	-	-	-	-	440	390	-	-
SCL K10	15,0	782	-	-	-	-	-	-	-	-	-	-	-	-	340	295
SCL K11	7,5	915	-	-	-	783	760	737	-	-	-	-	-	-	-	-
SCL K11	9,2	915	-	-	-	-	-	-	710	684	-	-	-	-	-	-
SCL K11	11,0	915	-	-	-	-	-	-	-	-	656	609	-	-	-	-
SCL K11	15,0	915	-	-	-	-	-	-	-	-	-	-	551	503	-	-
SCL K11	18,5	915	-	-	-	-	-	-	-	-	-	-	-	-	451	385

The data given refers to air with a temperature of 20 °C and an atmospheric pressure of 1013 mbar (abs), measured at the inlet. Tolerance for values given +/- 10%. The values shown in this table are non-binding guide values and are only suitable for rough pre-selection.

## PRICES HAPROVENT H SCL



### SIDE CHANNEL BLOWER

Designation	Description	Order No.	Price
SCL K 03	0,37 kW	4162240300	460,00
SCL K 04	0,75 kW	4162240407	573,00
SCL K 04	1,1 kW	4162240411	577,00
SCL K 04	1,5 kW	4162240415	609,00
SCL K 05	1,5 kW	4162240515	775,00
SCL K 05	2,2 kW	4162240522	786,00
SCL K 05	3,0 kW	4162240530	1002,00
SCL K 06	2,2 kW	4162240622	1081,00
SCL K 06	3,0 kW	4162240630	935,00
SCL K 06	4,0 kW	4162240640	975,00
SCL K 07	3,0 kW	4162240730	2225,00
SCL K 07	4,0 kW	4162240740	1785,00
SCL K 08	4,0 kW	4162240840	2672,00
SCL K 08	5,5 kW	4162240855	2509,00
SCL K 08	7,5 kW	4162240875	2485,00
SCL K 09	5,5 kW	41622409055	3035,00
SCL K 09	7,5 kW	41622409075	3050,00
SCL K 09	9,2 kW	41622409092	3255,00
SCL K 10	7,5 kW	41622410075	3185,00
SCL K 10	11,0 kW	41622410110	3360,00
SCL K 10	15,0 kW	41622410150	3480,00
SCL K 11	9,2 kW	41622411092	3595,00

### AIR INLET FILTER

Designation	Description	Order No.	Price
HOF 32	1 ¼"	42260007	179,00
HOF 40	1 ½"	424500091	321,90
HOF 50	2"	427000091	410,00
HOF 80	3"	431400091	411,00



As of April 2022

Hereby all previous price lists lose their validity. Prices per piece in Euro, incl. packaging from stock Solingen, plus VAT payable within 30 days net.  
No liability for misprints.