

PROCESS OPTIMISATION WITH HOT AIR



RADIAL BLOWER: HAPROVENT M MODEL S



Generate an air flow

Powerful, tried-and-tested blowers generate the airflow required for the application.



Guide the air

Air ducting systems made of heat-resistant air hoses guide the airflow from the blower to the point of use.



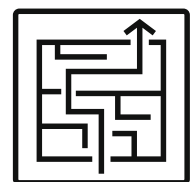
Heat the air

Electrically powered air heaters ensure the air is heated to the required temperature.



Regulate the temperature

Microprocessor controlled regulators ensure precisely maintained temperatures when hot air is used.



Apply the hot air

At the point of use, the hot air is accurately fed through special nozzles for use in the respective application.

RADIAL BLOWER: HAPROVENT M MODEL S



The medium-pressure blowers of the HAPROVENT M Model S series (clockwise rotation shown) can be used universally, e.g. in drying systems, hot-shrink systems, heating cabinets, as cooling blowers, etc. These blowers are the ideal air suppliers for the air heaters of the LE-R and LE-P series. The units are designed for continuous operation and can convey dry and humid air up to 65 °C (with a temperature restriction up to 300 °C). The housings are welded from sheet steel. The impellers are made of aluminium. Due to their low weight and compact dimensions, the blowers can be easily integrated into machines and installations. The mounting position of the blower can also be reversed.

The units are supplied with a fan base as standard, dimensions table, see page 6.

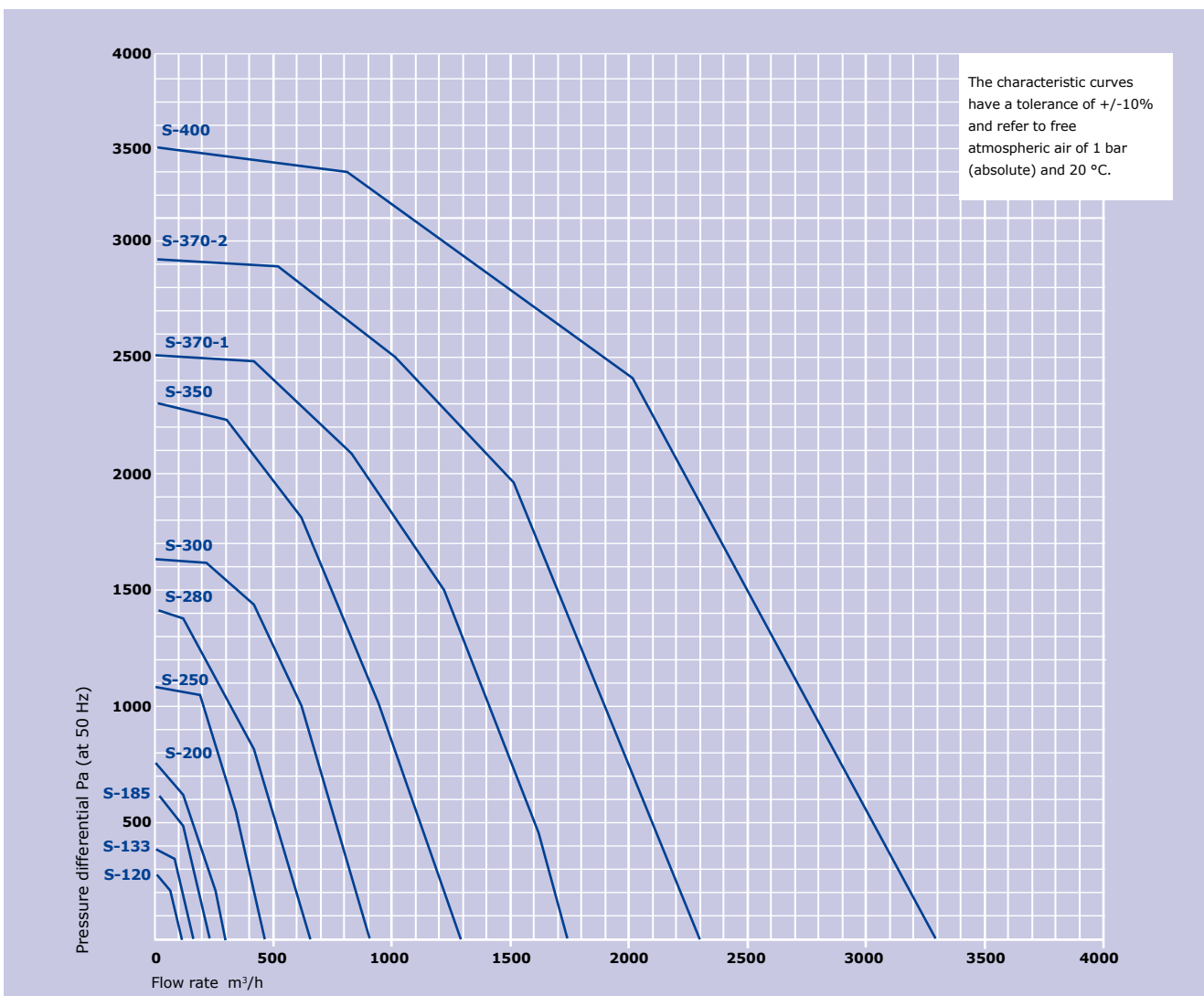
Special designs such as individual voltages or ex-protection according to ATEX are available on request.

Options

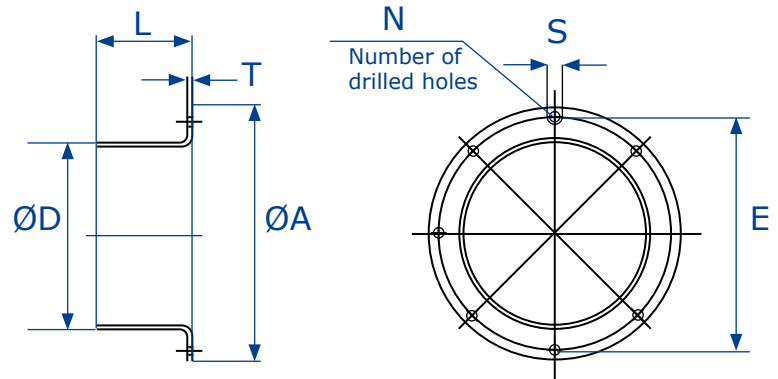
- Blower also available inverted, anticlockwise rotating
- Outlet position: Available in 90-degree steps
- Throttle valve: For manual adjustment on the air outlet side
- Air heater: Suitable air filter elements for all applications
- Temperature restriction: For media temperatures up to 300 °C
- Nozzles/air distribution: Air distribution, nozzles and special systems on request
- Condenser: For 230 V single-phase alternating voltage
- Quiet operation



Model	Order No.	Output kW	Voltage V	Air volume m ³ /h self-clearing	Pressure Pa fully throttled	Weight kg
Haprovent M TYP S-120	41650120	0,045	400	140	270	3,7
Haprovent M TYP S-133	41650133	0,045	400	150	335	3,8
Haprovent M TYP S-185	41650185	0,090	400	200	640	6,0
Haprovent M TYP S-200	41650200	0,090	400	240	740	6,0
Haprovent M TYP S-250	41650250	0,120	400	420	1100	9,0
Haprovent M TYP S-280	41650280	0,250	400	615	1410	15,0
Haprovent M TYP S-300	41650300	0,550	400	900	1650	22,0
Haprovent M TYP S-350	41650350	1,1	400	1260	2380	28,0
Haprovent M TYP S-370-1	416503701	1,5	400	1700	2600	34,0
Haprovent M TYP S-370-2	416503702	2,2	400	2360	2880	35,0
Haprovent M TYP S-400	41650400	4,0	400	3350	3400	65,0



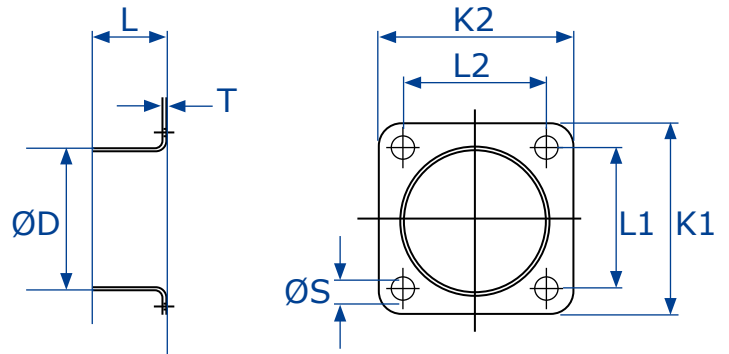
HAPROVENT M MODEL S ACCESSORIES



Inlet pipe for HAPROVENT M Model S

HAPROVENT M Typ	Order No.	Dimensions in mm						
		D	L	A	E	S	N	T
S-120	401660120060	60	40	102	95	3	4	1
	401660120080	80	40	102	95	4	4	1
S-133	401660133060	60	40	102	95	3	4	1
	401660133080	80	40	102	95	4	4	1
S-185	401660185080	80	40	123	116	4	4	1
	401660185100	100	40	123	116	4	4	1
S-200	40166020080	80	40	123	116	4	4	1
	401660200100	100	40	123	116	4	4	1
S-250	401660250100	100	40	152	144	5	4	1
	401660250125	125	40	152	144	5	4	1
S-280	401660280100	100	40	152	144	5	4	1
	401660280125	125	40	152	144	5	4	1
S-300	401660300125	125	40	165	157	6	4	1
	401660300140	140	40	165	157	6	4	1
S-350	401660350140	140	40	186	175	6	4	1
	401660350160	160	40	186	175	6	4	1
S-370-1	4016603701160	160	40	222	212	6	8	1
	4016603701180	180	40	222	212	6	8	1
S-370-2	4016603702180	180	40	244	232	6	8	1
	4016603702200	200	40	244	232	6	8	1
S-400	401660400180	180	40	244	232	6	8	1
	401660400200	200	40	244	232	6	8	1

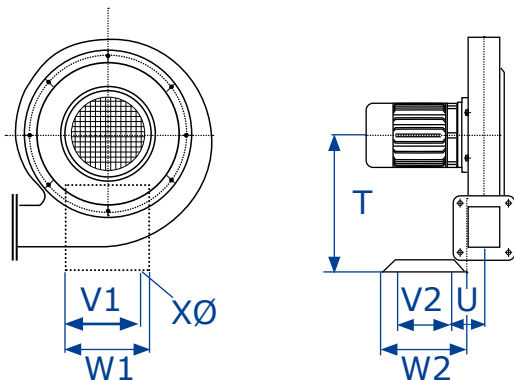
HAPROVENT M MODEL S ACCESSORIES



Outlet connector for HAPROVENT M Model S

HAPROVENT M TYP	Order No.	Dimensions in mm							
		D	L	K1	K2	L1	L2	S	T
S-120	40167012040	40	32	85	60	60	50	6	1
	40167012060	60	42	85	60	60	50	6	1
S-133	40167013340	40	32	85	60	60	50	6	1
	40167013360	60	42	85	60	60	50	6	1
S-185	40167018580	80	40	85	85	70	70	6	1
S-200	40167020080	80	40	85	85	70	70	6	1
S-250	40167025080	80	40	105	105	80	80	9	1
	40167025090	90	40	105	105	80	80	9	1
S-280	40167028090	90	40	120	120	90	90	9	1
S-300	401670300112	112	40	125	125	95	95	9	1
S-350	401670350125	125	40	140	140	115	115	9	1
	401670350140	140	42	140	140	115	115	9	1
S-370-1	4016703701125	125	40	155	155	117	117	11	1
	4016703701140	140	40	155	155	117	117	11	1
S-370-2	4016703702140	140	40	175	175	140	140	11	1
	4016703702160	160	40	175	175	140	140	11	1
S-400	40167400180	180	40	195	195	150	150	11	1

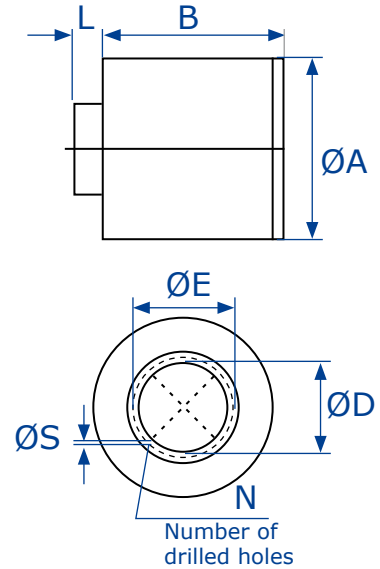
Fan base for HAPROVENT M Model S, supplied



HAPROVENT M TYP	Dimensions in mm						
	W1	W2	V1	V2	U	X	T
S-120	130	100	80	60	42	7	135
S-133	130	100	80	60	42	7	135
S-185	130	100	80	60	48	7	170
S-200	130	100	80	60	51	7	180
S-250	140	120	110	75	54	9	215
S-280	165	150	120	100	54	9	255
S-300	165	150	120	100	60	9	255
S-350	200	170	150	120	61	9	295
S-370-1	230	200	170	140	69	12	335
S-370-2	230	200	170	140	82	12	335
S-400	380	250	350	200			

Intake round filter für HAPROVENT M Model S

HAPROVENT M TYP	Order No.	Dimensions in mm						
		A	B	D	E	L	N	S
S-185 / S200	40168200	150	142	100	116	25	3	4
S-250	40168250	205	237	120	144	25	4	5
S-280	40168280	205	237	120	144	25	4	5
S-300	40168300	252	297	135	157	25	4	6
S-350	40168350	306	297	155	175	25	4	6
S-370/1	4016837001	410	357	175	212	25	8	6
S-370/2	4016837002	410	573	175	232	25	8	6
S-400	40168400	410	573	175	232	25	8	6



PRICES RADIAL BLOWER: HAPROVENT S

Designation	Description	Order No.	Price
S - 120	230/400 V, 0,045 kW	41650120	300,00
S - 133	230/400 V, 0,045 kW	41650133	291,00
S - 185	230/400 V, 0,090 kW	41650185	466,00
S - 200	230/400 V, 0,090 kW	41650200	517,00
S - 250	230/400 V, 0,120 kW	41650250	568,00
S - 280	230/400 V, 0,250 kW	41650280	640,00
S - 300	230/400 V, 0,550 kW	41650300	663,00
S - 350	230/400 V, 1,100 kW	41650350	1084,00
S - 370 / 01	230/400 V, 1,500 kW	416503701	1102,00
S - 370 / 02	230/400 V, 2,200 kW	416503702	1519,00
S - 400	230/400 V, 4,000 kW	41650400	2131,00

Medium-pressure radial blowers
HAPROVENT M TYP S

Designation	Description	Order No.	Price
S - 120	230/400 V, 0,045 kW	416501209	347,00
S - 133	230/400 V, 0,045 kW	416501339	363,00
S - 185	230/400 V, 0,090 kW	416501859	523,00
S - 200	230/400 V, 0,090 kW	416502009	573,00
S - 250	230/400 V, 0,120 kW	416502509	735,00
S - 280	230/400 V, 0,250 kW	416502809	808,00
S - 300	230/400 V, 0,550 kW	416503009	829,00
S - 350	230/400 V, 1,100 kW	416503509	1192,00
S - 370 / 01	230/400 V, 1,500 kW	4165037019	1384,00
S - 370 / 02	230/400 V, 2,200 kW	4165037029	1694,00
S - 400	230/400 V, 4,000 kW	416504009	2478,00

Medium-pressure radial blowers
HAPROVENT M TYP S
with temperature restriction

PRICES RADIAL BLOWER: HAPROVENT M MODEL S

Accessories inlet pipe

Inlet pipe for	Diameter	Order No.	Price
S - 120	60 mm	401660120060	15,00
S - 120	80 mm	401660120080	17,00
S - 133	60 mm	401660133060	15,00
S - 133	80 mm	401660133080	17,00
S - 185	80 mm	401660185080	17,00
S - 185	100 mm	401660185100	20,00
S - 200	80 mm	40166020080	17,00
S - 200	100 mm	401660200100	20,00
S - 250	100 mm	401660250100	20,00
S - 250	125 mm	401660250125	22,00
S - 280	100 mm	401660280100	20,00
S - 280	125 mm	401660280125	22,00
S - 300	125 mm	401660300125	23,00
S - 300	140 mm	401660300140	26,00
S - 350	140 mm	401660350140	26,00
S - 350	160 mm	401660350160	28,00
S - 370 / 01	160 mm	4016603701160	30,00
S - 370 / 01	180 mm	4016603701180	32,00
S - 370 / 02	180 mm	4016603702180	36,00
S - 370 / 02	200 mm	4016603702200	38,00
S - 400	180 mm	401660400180	36,00
S - 400	200 mm	401660400200	36,00

Accessories outlet connector

Outlet connector for	Diameter	Order No.	Price
S - 120	40 mm	40167012040	15,00
S - 120	60 mm	40167012060	15,00
S - 133	40 mm	40167013340	15,00
S - 133	60 mm	40167013360	15,00
S - 185	80 mm	40167018580	18,00
S - 200	80 mm	40167020080	18,00
S - 250	80 mm	40167025080	21,00
S - 250	90 mm	40167025090	22,00
S - 280	90 mm	40167028090	22,00
S - 300	112 mm	40167030112	23,00
S - 350	125 mm	401670350125	27,00
S - 350	140 mm	401670350140	29,00
S - 370 / 01	125 mm	4016703701125	27,00
S - 370 / 01	140 mm	4016703701140	29,00
S - 370 / 02	140 mm	4016703702140	30,00
S - 370 / 02	160 mm	4016703702160	35,00
S - 400	180 mm	40167400180	35,00

Accessories intake round filter

Type	Order No.	Price
S-185/S200	40168200	146,00
S-250	40168250	146,00
S-280	40168280	150,00
S-300	40168300	163,00
S-350	40168350	202,00
S370/1	4016837001	244,00
S370/2	4016837002	272,00
S-400	4018400	273,00



As of April 2022

Hereby all previous price lists lose their validity. Prices per piece in Euro, incl. packaging from stock Solingen, plus VAT payable within 30 days net. No liability for misprints.